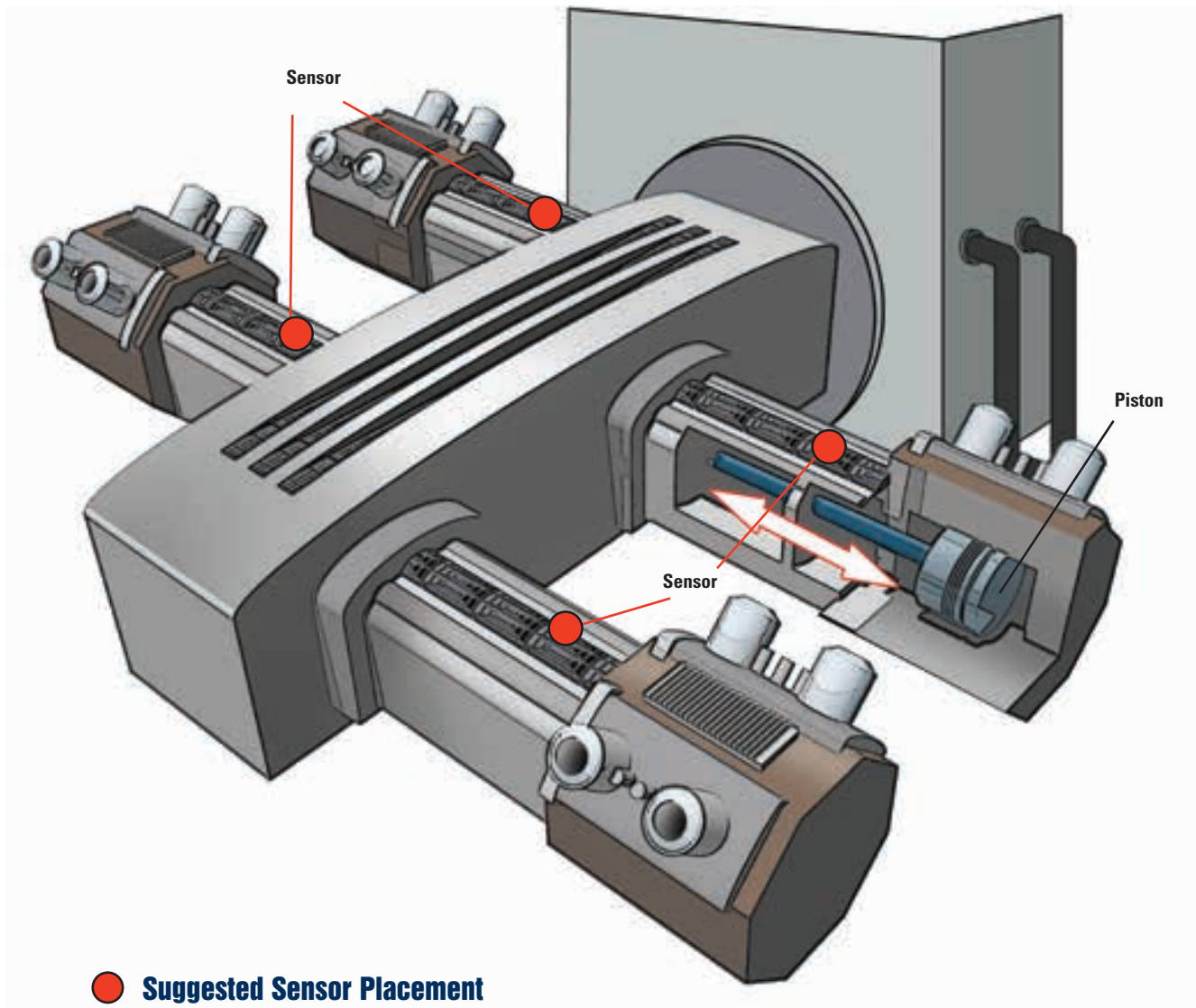


Process Monitoring &
Protection

Reciprocating Machinery

Years of frustrating unanticipated reciprocating compressor failures have led to the development of the new line of IMI® Reciprocating Machinery Protectors. We have learned that the proven successful methods of condition monitoring on rotating equipment do not yield good results on reciprocating devices. IMI® has developed the RMP product line to detect impacts caused by looseness of internal parts. Depending on the amplitude of the impact and how many times the impact occurs within a specified time window, the appropriate 4-20 mA signal is provided. The industry leading USB Programming capability makes it easy to match the RMP to any reciprocating application. For properly running machinery, the IMI® RMP allows you to



● Suggested Sensor Placement



Sensors for Compressors - Process Monitoring & Protection



4-20 mA Pressure Sensor Series 1503

- Mounts on the compressor
- Withstands sour gas environments
- 1/2" NPT fitting

Visit www.pcb.com for more information



Reciprocating Machinery Protector Model 649A01

- Detects faults / mechanical looseness in reciprocating compressors
- Outperforms impact transmitters
- Continuous trending, with alarm & alert levels for early warning

See page 122 for more information



Product Spotlight

USB Programming Kits

- Customize settings on your USB programmable sensor
- Power-on, startup, & operating delays
- Kit includes CD-ROM software & cable adapters

See page 128 for more information



Hochwertige Technik und Beratung aus einer Hand



Synotech Sensor und Meßtechnik GmbH
 Porschestraße 20 - 30 • 41836 Hückelhoven
 Tel.: +49 (0) 24 33/44 44 40 - 0
 E-Mail: info@synotech.de • www.synotech.de

