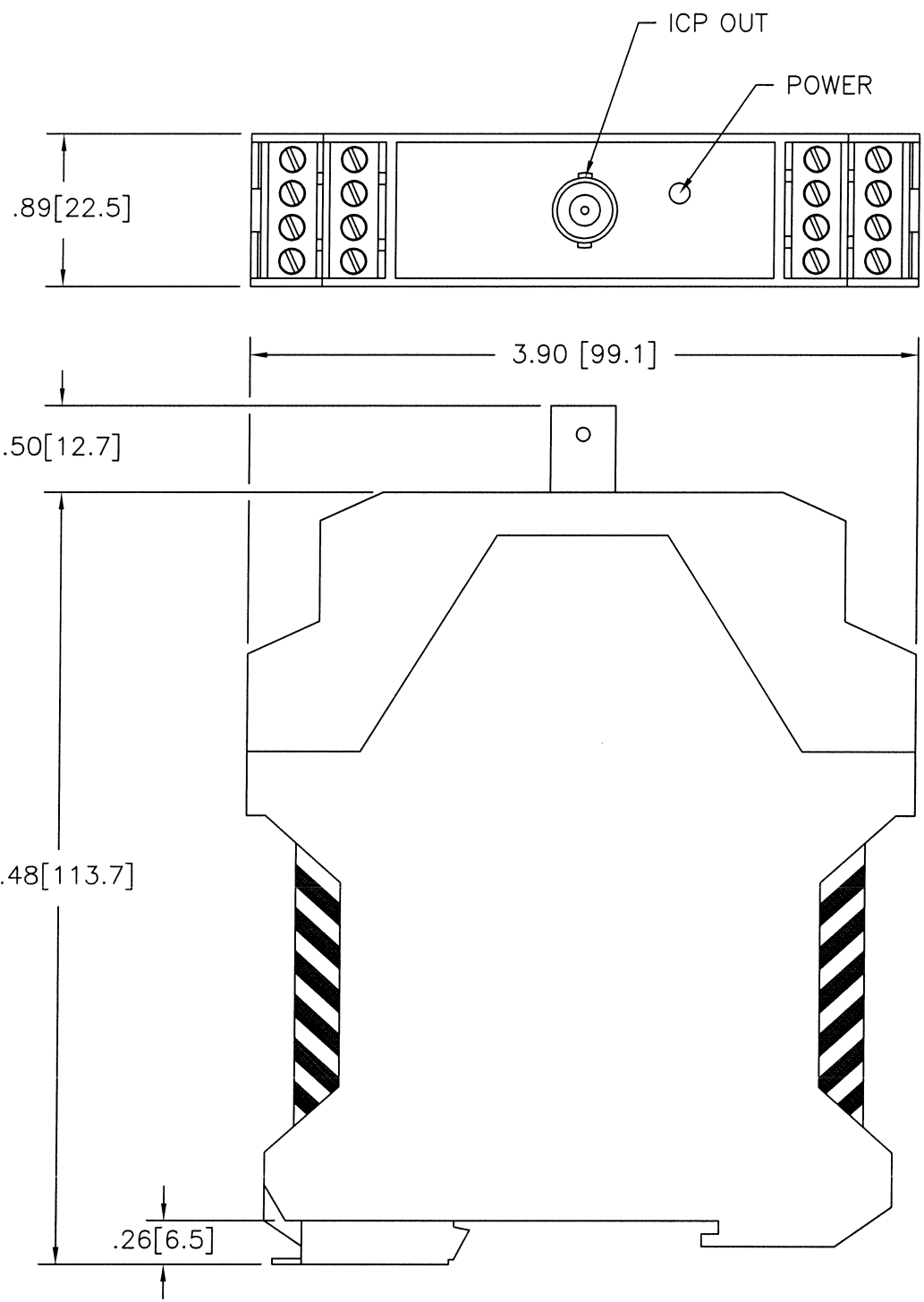


27894	APPLICATION			REVISIONS				
	NEXT ASS'Y	USED ON	VAR	REV	DESCRIPTION	ECN	DATE	APP'D
				NR	RELEASED TO DRAFTING		10/28/04	DM10/04
			A	REVISED DRAWING TITLE	23034	11/2/05	EB	11/05

PCB Piezotronics Inc. claims proprietary rights in the information disclosed herein. Neither it nor any reproduction thereof will be disclosed to others without written consent of PCB Piezotronics Inc.



UNLESS SPECIFIED TOLERANCES		DRAWN	PCG 11/3/05	MFG	D.A. 11/4/05	 3425 WALDEN AVE. DEPEW, NY 14043 (716) 684-0001 EMAIL: SALES@PCB.COM
DIMENSIONS IN INCHES	DIMENSIONS IN MILLIMETERS [IN BRACKETS]	CHK'D	ECB 11/3/05	ENGR	mm 11/2/05	
DECIMALS XX ±.03 XXX ±.010	DECIMALS X ±0.8 XX ±0.25	APP'D	N.A. 11/3/05	SALES	EB 11/3/05	
ANGLES ±2 DEGREES	ANGLES ±2 DEGREES	TITLE		CODE IDENT. NO.	DWG. NO.	
FILLET AND RADII .003 - .005	FILLET AND RADII [0.07 - 0.13]	OUTLINE DRAWING BEARING FAULT DETECTOR				27894
DD011 REV. C 01/21/03						SCALE: FULL SHEET 1 OF 1