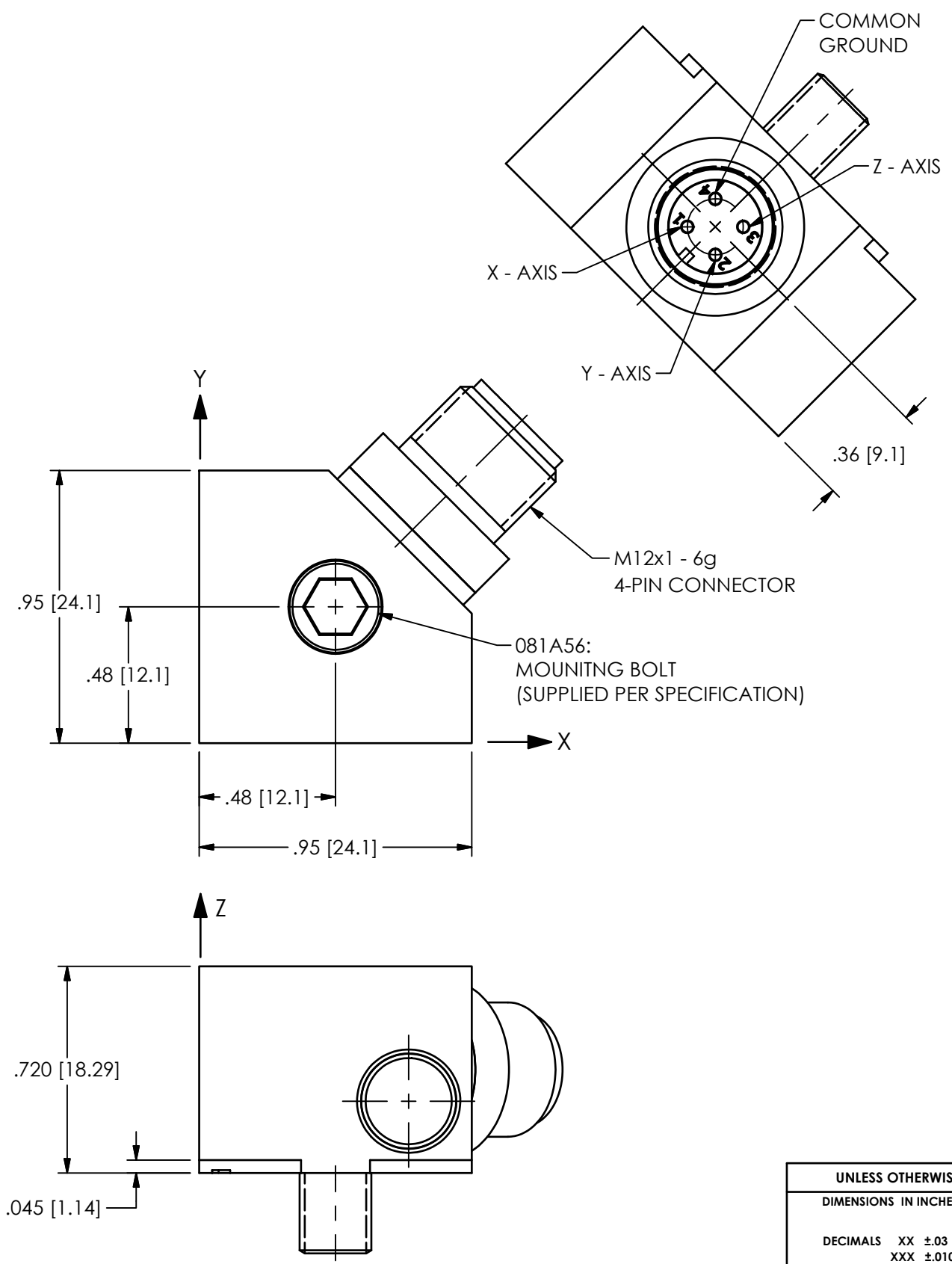


PCB Piezotronics Inc. claims proprietary rights in the information disclosed hereon. Neither it nor any reproduction thereof will be disclosed to others without the written consent of PCB Piezotronics Inc.

64204

REVISIONS

REV	DESCRIPTION	DIN
NR	RELEASED TO DRAFTING	46924



UNLESS OTHERWISE SPECIFIED TOLERANCES ARE:		DRAWN		CHECKED		ENGINEER			
DIMENSIONS IN INCHES	DIMENSIONS IN MILLIMETERS [IN BRACKETS]	JDM	6/20/17	JDM	6/20/17	JJD	6/20/17		
DECIMALS XX ±.03 XXX ±.010	DECIMALS X ±0.8 XX ±0.25	TITLE OUTLINE DRAWING MODEL 639A91 TRIAx						CODE IDENT. NO. 52681	DWG. NO. 64204
ANGLES ± 2 DEGREES	ANGLES ± 2 DEGREES							SCALE: 2X	
FILLETS AND RADII .003 - .005	FILLETS AND RADII 0.07 - 0.13							 3425 WALDEN AVE. DEPEW, NY 14043 (716) 684-0001 E-MAIL: sales@pcb.com	