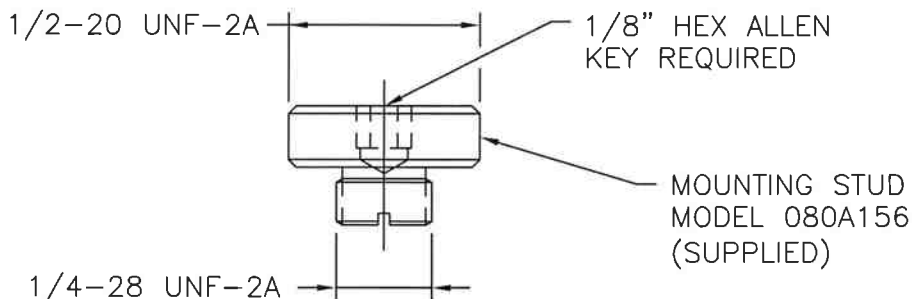
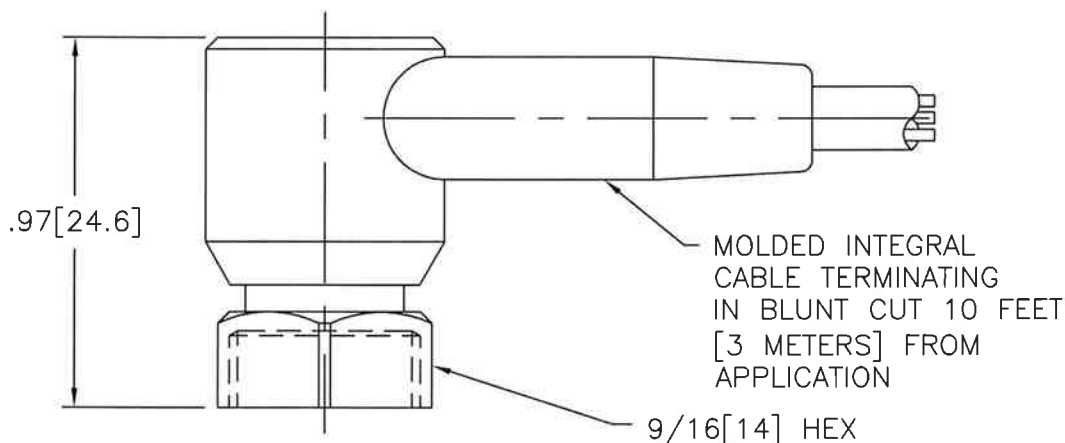
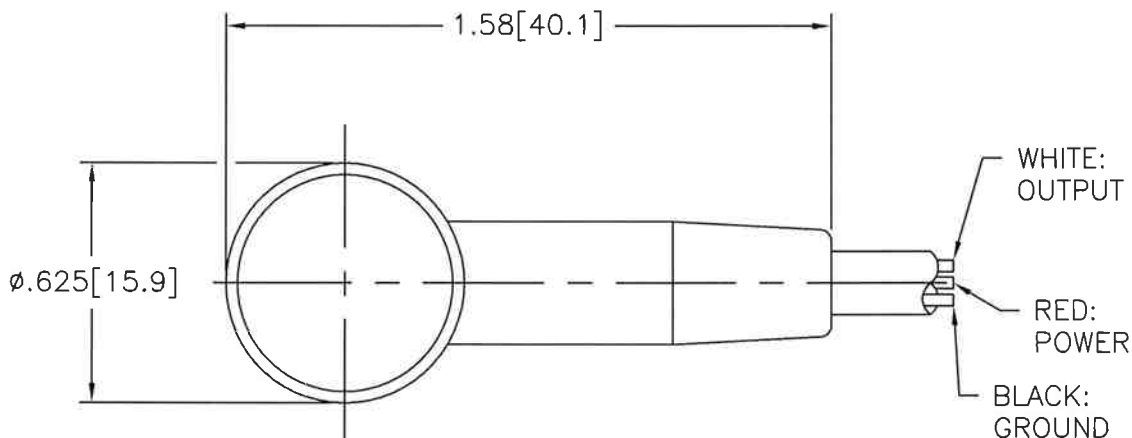


PCB Piezotronics Inc. claims proprietary rights in the information disclosed herein. Neither it nor any reproduction thereof will be disclosed to others without written consent of PCB Piezotronics Inc.

REVISIONS

REV	DESCRIPTION	ECN	DATE	APP'D
NR	RELEASED TO DRAFTING		5/10/07	EB 567

37456



UNLESS SPECIFIED TOLERANCES

DIMENSIONS IN INCHES	DIMENSIONS IN MILLIMETERS [IN BRACKETS]
DECIMALS XX ±.03	DECIMALS X ±0.8
XXX ±.010	XX ±0.25
ANGLES ±2 DEGREES	ANGLES ±2 DEGREES
FILLETS AND RADII .003 - .005	FILLETS AND RADII [0.07 - 0.13]

DRAWN	MOF	5/14/07	MFG	D.A.	5/11/07
CHK'D	ECB	5/10/07	ENGR	RAB	5/11/07
APP'D	UC	5/11/07	SALES	W/P	5/11/07

**PCB PIEZOTRONICS**  
 3425 WALDEN AVE. DEPEW, NY 14043  
 (716) 684-0001 EMAIL: SALES@PCB.COM

CODE IDENT. NO. 52681

DWG. NO. 37456

DD011 REV. C 01/21/03

TITLE  
 OUTLINE DRAWING  
 MODEL 607M83  
 ACCELEROMETER

SCALE: 2X SHEET 1 OF 1