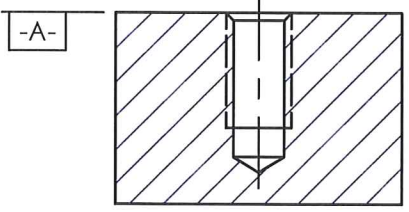
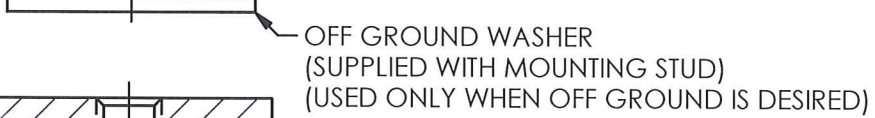
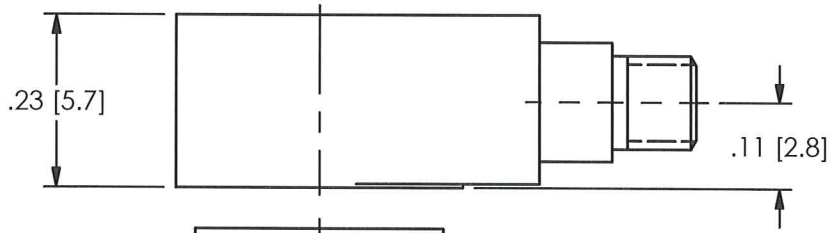
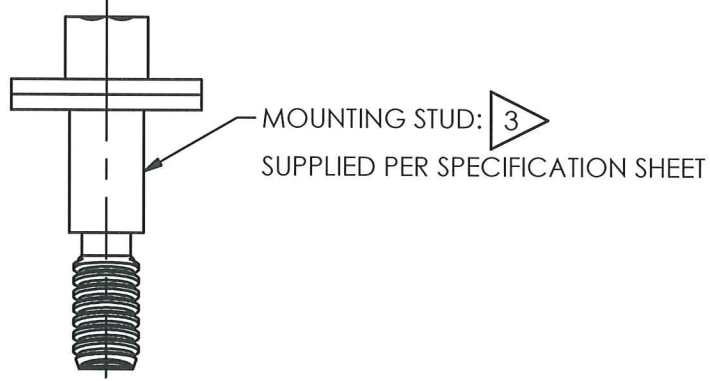
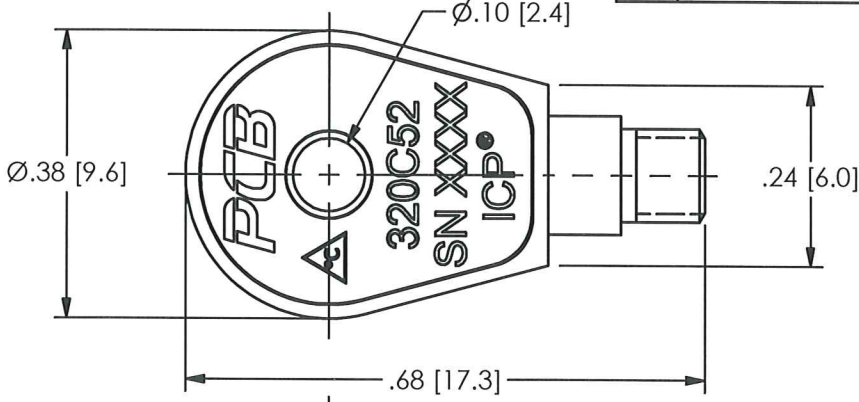


PCB Piezotronics Inc. claims proprietary rights in the information disclosed hereon. Neither it nor any reproduction thereof will be disclosed to others without the written consent of PCB Piezotronics Inc.

REVISIONS		
REV	DESCRIPTION	DIN
NR	RELEASED TO DRAFTING	35324

49577



**MOUNTING HOLE PREPARATION** 1 2

**STANDARD THREAD:**  
 $\varnothing.070$  [1.78]  $\nabla.188$  [4.78] MIN  
 2-56 UNC-2B  $\nabla.150$  [3.81] MIN

**METRIC THREAD:**  
 $\varnothing.063$  [1.58]  $\nabla.188$  [4.78] MIN  
 M2 X 0.4-6H  $\nabla.150$  [3.81] MIN

- 3 RECOMMENDED MOUNTING TORQUE 1 TO 2 INCH POUNDS [.12 TO .23 NEWTON METERS].
- 2 MOUNTING SURFACE SHOULD BE FLAT TO WITHIN .001 [.03] TIR OVER  $\varnothing.375$  [9.53] WITH A MINIMUM 63 [1.6] FINISH FOR BEST RESULTS.
- 1 DRILL PERPENDICULAR TO -A- TO WITHIN  $\pm .1^\circ$

UNLESS OTHERWISE SPECIFIED TOLERANCES ARE:		DRAWN	CHECKED	ENGINEER	<p>3425 WALDEN AVE. DEPEW, NY 14043          (716) 684-0001 E-MAIL: sales@pcb.com</p>
DIMENSIONS IN INCHES	DIMENSIONS IN MILLIMETERS [IN BRACKETS]	MDF 3/23/11	ECB 3/24/11	3/23/11	
DECIMALS XX $\pm .01$ XXX $\pm .005$	DECIMALS X $\pm 0.3$ XX $\pm 0.13$	TITLE			
ANGLES $\pm 2$ DEGREES	ANGLES $\pm 2$ DEGREES	INSTALLATION DRAWING MODEL 320C52 RING ACCELEROMETER			CODE IDENT. NO. 52681
FILLETS AND RADII .003 - .005	FILLETS AND RADII 0.07 - 0.13	SCALE: 4X			DWG. NO. 49577 SHEET 1 OF 1